

Intex

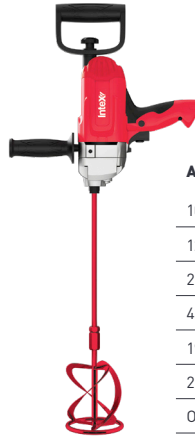
MegaMixer Industrial Power

AMX110 | AMX620
Operation Manual

WARNING: To reduce the risk of injury, user must read and understand operator's manual.

Technical Data - Intex MegaMixer®

Code	AMX110
Power Input	1050W
Voltage	240V/50Hz
Number of Gears	1
No-Load-Speed	0 - 580min-1
Class of Protection	Double Insulation
Certification	CE, GS
Mixing Rod Thread	M14
Mixing Rod (Ø Max.)	120mm

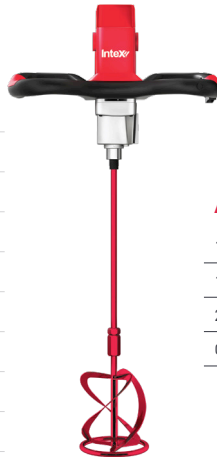


AMX110 CONTENTS

1050W Power Mixer
120mm Downward Mixer Rod (ARN120)
2-Position Side Handle
4-Position D-Handle
19mm Spanner
22mm Spanner
Operational Manual

Technical Data - Intex MegaMixer®

Code	AMX620
Power Input	1600W
Voltage	240V/50Hz
Number of Gears	2
No-Load-Speed	180-460/300-700min-1
Class of Protection	Double Insulation
Certification	CE, GS
Mixing Rod Thread	M14
Mixing Rod (Ø Max.)	160mm



AMX620 CONTENTS

1600W Power Mixer
160mm Downward Mixer Rod (ARN160)
22mm Spanner
Operational Manual

WARNING! Read all safety warnings and all instructions. Failure to follow the warnings and instructions may result in electric shock, fire and/or serious injury. Save all warnings and instructions for future reference. The term “power tool” in the warnings refers to your mains operated (corded) power tool or battery-operated (cordless) power tool.

Work Area Safety

- a.** Keep work area clean and well lit. Cluttered or dark areas invite accidents.
- b.** Do not operate power tools in explosive atmospheres, such as in the presence of flammable liquids, gases or dust. Power tools create sparks which may ignite the dust or fumes.
- c.** Keep children and bystanders away while operating a power tool. Distractions can cause you to lose control.

Electrical Safety

- a.** Power tool plugs must match the outlet. Never modify the plug in any way. Do not use any adapter plugs with earthed (grounded) power tools. Unmodified plugs and matching outlets will reduce risk of electric shock.
- b.** Avoid body contact with earthed or grounded surfaces such as pipes, radiators, ranges and refrigerators. There is an increased risk of electric shock if your body is earthed or grounded.
- c.** Do not expose power tools to rain or wet conditions. Water entering a power tool will increase the risk of electric shock.
- d.** Do not abuse the cord. Never use the cord for carrying, pulling or unplugging the power tool. Keep cord away from heat, oil, sharp edges or moving parts. Damaged or entangled cords increase the risk of electric shock.
- e.** When operating a power tool outdoors, use an extension cord suitable for outdoor use. Use of a cord suitable for outdoor use reduces the risk of electric shock.
- f.** If operating a power tool in a damp location is unavoidable, use an earth leakage circuit breaker. Use of an earth leakage circuit breaker reduces the risk of electric shock.

Personal Safety

- a.** Stay alert, watch what you are doing and use common sense when operating a power tool. Do not use a power tool while you are tired or under the influence of drugs, alcohol or medication. A moment of inattention while operating power tools may result in serious personal injury.
- b.** Use personal protective equipment. Always wear eye protection. Protective equipment such as dust mask, non-skid safety shoes, hard hat, or hearing protection used for appropriate conditions will reduce personal injuries.
- c.** Prevent unintentional starting. Ensure the switch is in the off-position before connecting to power source and/or battery pack, picking up or carrying the tool. Carrying power tools with your finger on the switch or energising power tools that have the switch on invites accidents.
- d.** Remove any adjusting key or wrench before turning the power tool on. A wrench or a key left attached to a rotating part of the power tool may result in personal injury.
- e.** Do not overreach. Keep proper footing and balance at all times. This enables better control of the power tool in unexpected situations.
- f.** Dress properly. Do not wear loose clothing or jewellery. Keep your hair, clothing and gloves away from moving parts. Loose clothes, jewellery or long hair can be caught in moving parts.
- g.** If devices are provided for the connection of dust extraction and collection facilities, ensure these are connected and properly used. Use of dust collection can reduce dust-related hazards.

Power Tool Use & Care

- a.** Do not force the power tool. Use the correct power tool for your application. The correct power tool will do the job better and safer at the rate for which it was designed.
- b.** Do not use the power tool if the switch does not turn it on and off. Any power tool that cannot be controlled with the switch is dangerous and must be repaired.
- c.** Disconnect the plug from the power source and/or the battery pack from the power tool before making any adjustments, changing accessories, or storing power tools. Such preventive safety measures reduce the risk of starting the power tool accidentally.
- d.** Store idle power tools out of the reach of children and do not allow persons unfamiliar with the power tool or these instructions to operate the power tool. Power tools are dangerous in the hands of untrained users.
- e.** Maintain power tools. Check for misalignment or binding of moving parts, breakage of parts and any other condition that may affect the power tool's operation. If damaged, have the power tool repaired before use. Many accidents are caused by poorly maintained power tools.
- f.** Keep cutting tools sharp and clean. Properly maintained cutting tools with sharp cutting edges are less likely to bind and are easier to control.
- g.** Use the power tool, accessories and tool bits etc., in accordance with these instructions, taking into account the working conditions and the work to be performed. Use of the power tool for operations different from those intended could result in a hazardous situation.

Service

Have your power tool serviced by an Authorised Service Centre, using only identical and genuine Intex MegaMixer® replacement parts.

NOTE: We recommend the power tool be serviced at least once per year. This will ensure that the safety and operation of the power tool is maintained.

Symbols used in this manual

V	volts		
A	amperes		
Hz	hertz		
W	watt		
~	alternating current		
n_0	no load speed		
min ⁻¹	revolutions or reciprocation per minute		
	warning of general danger		read these instructions
	class II tool		always wear eye protection
	with electrical earth		always wear a dust mask.
			always wear hearing protection
			wear safety-approved hard hat
			do not dispose of electric tools, accessories and packaging together with household waste material

Specific Safety Rules

Safe operation of this machine is possible only when the operation instructions, and the safety precautions are read completely and the instructions contained therein are strictly observed.

- Never use the machine in an explosive or inflammable atmosphere where danger of explosion exists.
- Serious injury can occur through misuse or accident. Do not work in a cluttered or unsafe working area. Keep children away from mixing equipment.
- The machine must not be damp and must not be operated in a wet environment.
- Always wear eye, respiratory and hearing protection equipment and suitable protective clothing.
- Always inspect cable and plug before using machine. All repairs must be carried out by a qualified professional.
- Machines that are used with wet materials or in damp areas should be used with a residual current circuit breaker. Use only extension cables that are intended for outdoor use and are protected against splash water.
- Ensure the machine is turned off before connecting to the power socket.
- Keep the power cable away from the machine mixing helix.
- Ensure long hair, loose clothing and fashion accessories are well tied back away from the mixing shafts.
- When working with the machine, always hold it firmly with both hands and ensure a firm stable working position. Secure the vessel with the mixed substance against moving on the floor.
- Do not carry the machine by the power cord.
- Disconnect the machine from the power source before attaching or removing the mixing helix or attempting any repairs to the machine.

Extension Cable

If an extension cable is required, it must have a sufficient cross-section so as to prevent an excessive drop in voltage or overheating. An excessive drop in voltage reduces the output and can lead to failure of the motor. The following table shows you the correct cable diameter as a function of the cable length for this machine. Use only U.L. and CSA listed extension cables. Never use two extension cables together. Instead, use one long one.

Total Extension Cord Length (feet)	Cord Size (AWG)
25	16
50	12
100	10
150	8
200	6

Unpacking

Carefully remove the tool and all loose items from the shipping container.
Retain all packing materials until after you have inspected and satisfactorily operated the machine.

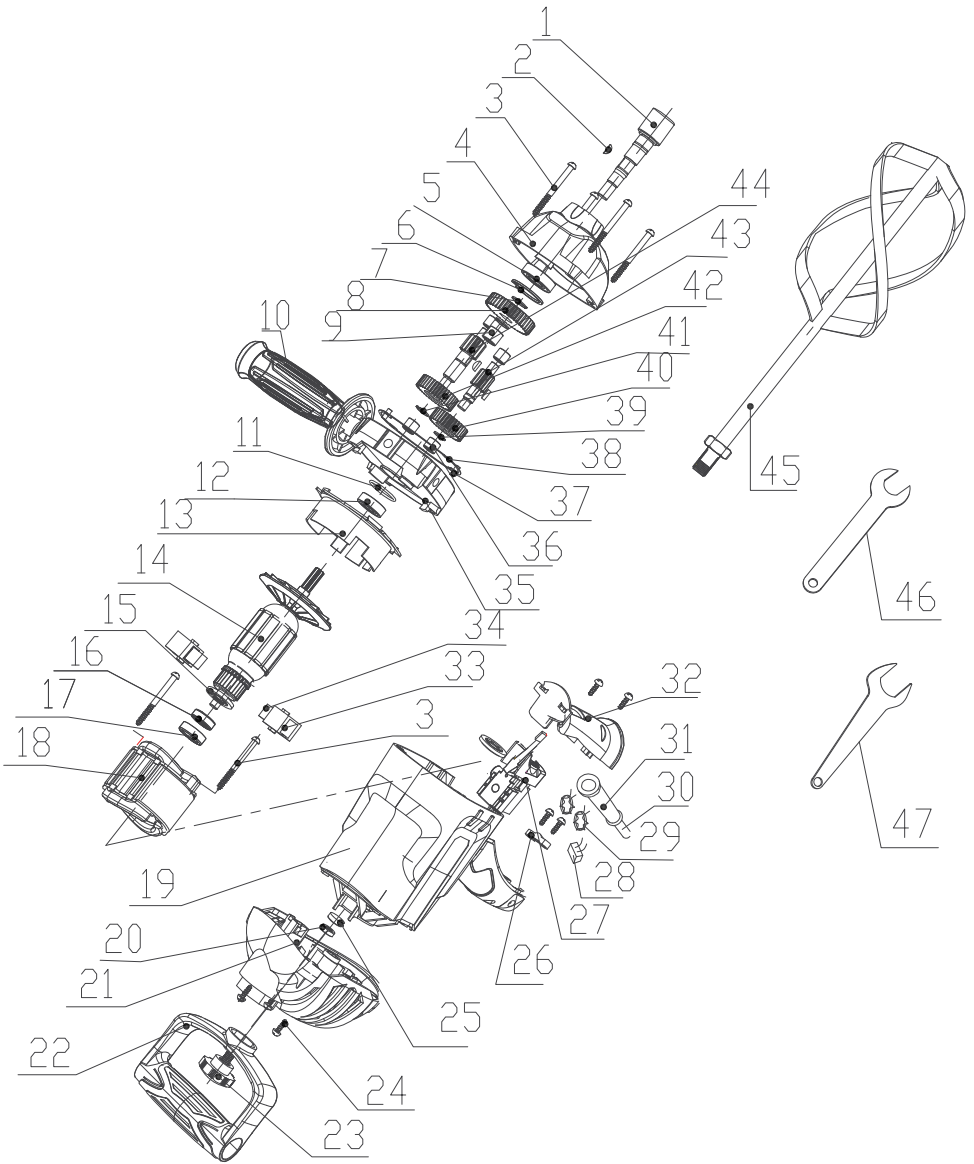
PARTS LIST AMX110

AMX110

Power Mixer Drill 1050W-230V (Inc.Rod)

No	Description	Quantity	Part #	No	Description	Quantity	Part #
1	Output Shaft	1	MMP11001	25	Inside Cover Of Back Handle	1	MMP11025
2	Semi-Circular Key 3-3,7-10	3	MMP11002	26	Cable Pressing Board	1	MMP11026
3	Screw St 4,8-48	6	MMP11003	27	Switch	1	MMP11027
4	Gear Box	1	MMP11004	28	Capalitar	1	MMP11028
5	Bearing 6002	1	MMP11005	29	Inductor	1	MMP11029
6	Elastic Collar 32	1	MMP11006	30	Cable	1	MMP11030
7	Elastic Collar 15	1	MMP11007	31	Cable Sleeve	1	MMP11031
8	Gear For Output Shaft	1	MMP11008	32	Handle Cover	1	MMP11032
9	Bearing Hk1010	1	MMP11009	33	Brush Hold Sets	1	MMP11033
10	Handle(Including Screw M10-38)		MMP11010	34	Carbon Brush	1	MMP11034
11	Ring O	1	MMP11011	35	Middle Cover	1	MMP11035
12	Bearing 6000	1	MMP11012	36	Bearing Hk0810	4	MMP11036
13	Fan Guide	1	MMP11013	37	Pin 4-6	2	MMP11037
14	Rotor	1	MMP11014	38	Sealed Washer	1	MMP11038
15	Insulation Ring	1	MMP11015	39	Elastic Collar 10	1	MMP11039
16	Bearing 608	1	MMP11016	40	Big Gear For Main Driving Shaft	1	MMP11040
17	Rubber Cover 608	1	MMP11017	41	Elastic Collar 12	4	MMP11041
18	Stator	1	MMP11018	42	Big Gear For Sud- Driving Shaft	1	MMP11042
19	Motor Housing	1	MMP11019	43	Main Driving Shaft	1	MMP11043
20	Screw M8		MMP11020	44	Sub-Driving Shaft	1	MMP11044
21	Back Cover For Motor Housing	1	MMP11021	45	Mix Rod	1	MMP11045
22	Back Handle	1	MMP11022	46	Spanner 22#	1	MMP11046
23	Bolt For Handle Fixing		MMP11023	47	Spanner 19#	1	MMP11047
24	Screw St 3,8-14	4	MMP11024				

EXPLODED VIEW AMX110



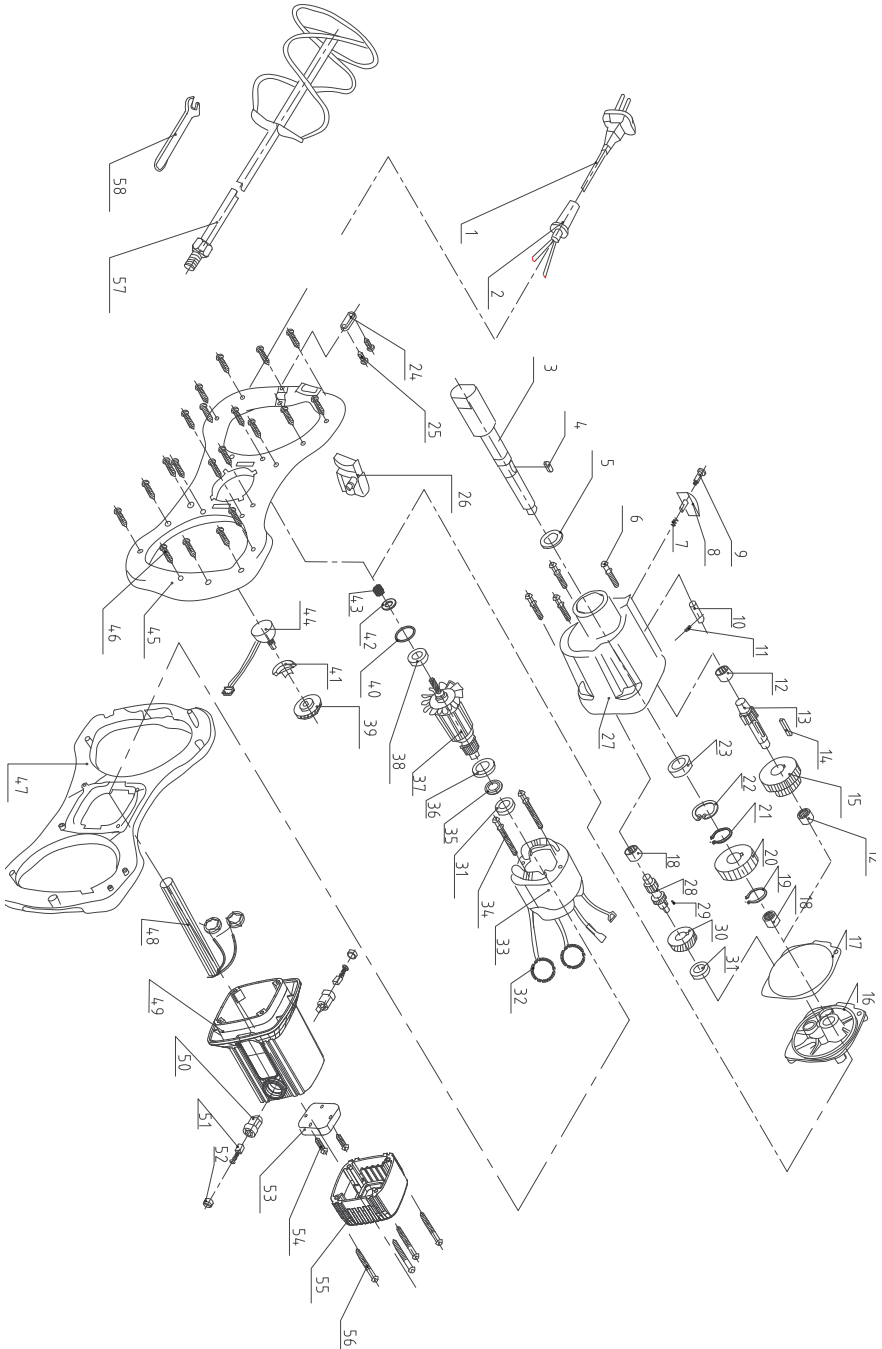
PARTS LIST AMX620

AMX620

Power Mixer 1600W-230V (Inc.Rod)

No	Description	Quantity	Part #	No	Description	Quantity	Part #
1	Cable	1	MMP62001	30	Diagonal Gear	1	MMP62030
2	Cable Sleeve	1	MMP62002	31	Bearing 60RZz	2	MMP62031
3	Output Shaft	1	MMP62003	32	Tension Spring	1Pair	MMP62032
4	Key 5X13	1	MMP62004	33	Stator Subassembly	1	MMP62033
5	Oil Seal	1	MMP62005	34	Crossing Tapping Screw St5x75-F	2	MMP62034
6	Crossing Tapping Screw St5x60-F	4	MMP62006	35	Dust Washer	1	MMP62035
7	Pushing Button Spring	1	MMP62007	36	Magnetic Ring		MMP62036
8	Pushing Button	1	MMP62008	37	Motor Subassembly	1	MMP62037
9	Pushing Button Fixing Screw	1	MMP62009	38	Bearing 609Zz	1	MMP62038
10	Shift Lever	1	MMP62010	39	Potentiometer Knob	1	MMP62039
11	Pin	1	MMP62011	40	Potentiometer Sleeve	1	MMP62040
12	Needle Bearing HK1010	2	MMP62012	41	Potentiometer	1	MMP62041
13	Variable Cover	1	MMP62013	42	Foregoing Handle		MMP62042
14	Key 5X45	1	MMP62014	43	Crossing Tapping Screw St4x20		MMP62043
15	Two Gang Gear	1	MMP62015	44	Potentiometer	1	MMP62044
16	Middle Cover	1	MMP62016	45	Foregoing Handle	1	MMP62045
17	Paper Washer	1	MMP62017	46	Crossing Tapping Screw St4x16	22	MMP62046
18	Needle Bearing HK0810	2	MMP62018	47	Back Handle		MMP62047
19	Elastic Collar 15	1	MMP62019	48	Lead Sleeve	1	MMP62048
20	Big Gear	1	MMP62020	49	Housing	1	MMP62049
21	Elastic Collar 17	1	MMP62021	50	Brush Hold	1Pair	MMP62050
22	Elastic Collar 35	1	MMP62022	51	Carbon Brush	1Pair	MMP62051
23	Bearing 6003-ZZ	1	MMP62023	52	Brush Cover	1Pair	MMP62052
24	Cable Plate	1	MMP62024	53	Integrating Block	1	MMP62053
25	Crossing Tapping Screw St4x14	2	MMP62025	54	Crossing Tapping Screw St3x25-F	2	MMP62054
26	Switch(Fa2-6/ZD-A1-B1-F3)	1	MMP62026	55	Housing Back Cover	1	MMP62055
27	Head Housing	1	MMP62027	56	Crossing Tapping Screw St5x45-F	4	MMP62056
28	Main Driving Shaft	1	MMP62028	57	Mixer Rod	1	MMP62057
29	Key 4X8	1	MMP62029	58	Spanner	2	MMP62058

EXPLODED VIEW AMX620



WARNING: To reduce the risk of injury, user must read and understand operator's manual.



intexinternational.com

MegaMixer® is a registered Trademark of Intex Group Int.
The information contained in this brochure was correct at the time of printing. E&OE